

APPLICATION:

PRODUCT NAME:

**REEL RINSE UNDER COUNTER MOUNT**

JOB NAME:

\_\_\_\_\_ SPECIAL CONFIGURATION  
(CHECK BASE MODEL AND OPTIONS)

QUANTITY:

ITEM NO.:

MODEL:

2984 WITH 12' HOSE

OPTIONS OR MODIFICATIONS:

BRUSH  
 OTHER \_\_\_\_\_

FEATURES:

**REEL**

- \* SELF LOCKING
- \* EXPOSED

**HOSE**

- \* 12' LENGTH REEL HOSE
- \* 19" LENGTH INLET HOSE
- \* 3-PLY FIBER REINFORCED RUBBER HOSE
- \* ADJUSTABLE BALL STOP

**STANDARD SPRAY VALVE**

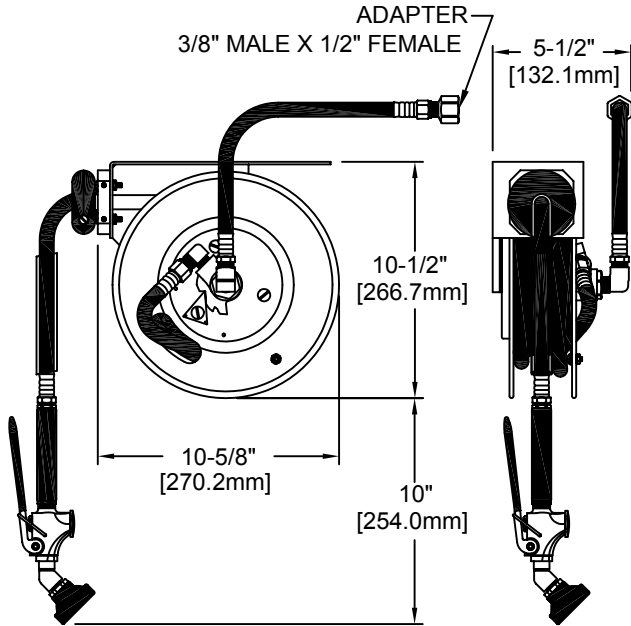
- \* NOZZLE THREADED INTO VALVE
- \* 2.65 GPM AT 80 PSI
- \* SHOWER SPRAY PATTERN

**SYSTEM LIMITS**

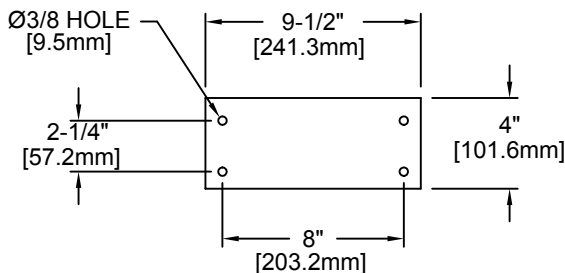
- \* TEMP: 40°F MIN. TO 140°F MAX.
- \* PRESSURE 200 PSI MAX. STATIC

**SHIPPING WEIGHT**

- \* 13.0 LBS



ROUGH-IN: SEE MOUNTING PLATE BELOW



ANSI/A112.18.1M

**FISHER**

FISHER MANUFACTURING COMPANY  
TOLL FREE: 800-421-6162 - FAX: 800-832-8238  
information@fisher-mfg.com - www.fisher-mfg.com